

SeaTelecom (STC) is the solution to the demand for affordable onboard communication for ships. Thanks to the simple, yet well-considered concept of the systems, well-functioning communication equipment can be delivered to seagoing vessels at a very competitive price level.

- Excellent price-quality ratio (both telephone and PA)
- STC meets the onboard demands
- 72 analogue lines connected in standard system
- Peripheral equipment ready for delivery within 24h

70/100V combined transformer	
Primary connections	
White: Green	70V
White: Red	100V
Secondary nominal tapings	
C : 1	15W
C : 2	7,5W
C : 3	4W
C : 4	2W

# STC-1004

PART OF STC-PUBLIC ADDRESS

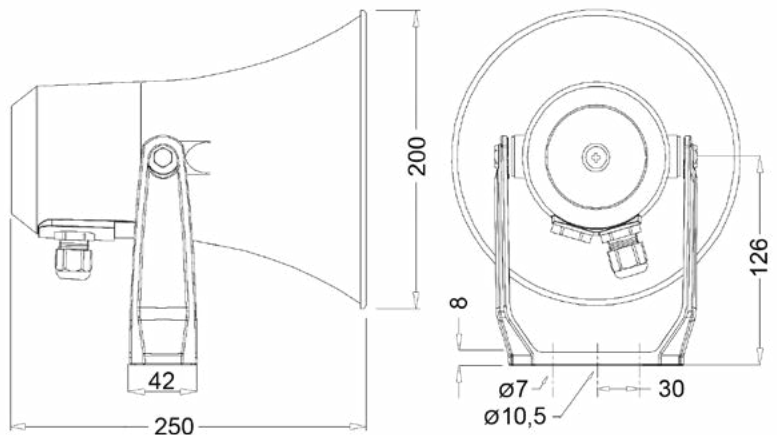


## Description:

- Horn loudspeaker
- Bracket and all outside nuts and bolts in stainless steel
- 1 cable gland M20 cable diameter 6-12mm
- ABS / RAL7035
- Incl. short circuit fuses and ceramic terminals
- IP-rating IP67

## Technical data:

• Standard version	70/100V transformer
• Rated power	15W
• SPL 1W/1M	108dB
• SPL rated power	118dB
• Dispersion (-6dB) 1kHz/4kHz	130 / 35
• Ambient temp.	-50 to 90 C
• Frequency range	330 - 8000Hz
• Weight	1,7 kg



**MADE FOR MARINE ENVIRONMENT**

SeaTelecom (STC) is the solution to the demand for affordable onboard communication for ships. Thanks to the simple, yet well-considered concept of the systems, well-functioning communication equipment can be delivered to seagoing vessels at a very competitive price level.

- Excellent price-quality ratio (both telephone and PA)
- STC meets the onboard demands
- 72 analogue lines connected in standard system
- Peripheral equipment ready for delivery within 24h

# STC-605

## PART OF STC-PUBLIC ADDRESS



### Description:

- Headset for telephone type HSB-03
- Standard with 10 mtr. cable and plug
- To be used in noisy areas
- TALK button switching on/off microphone

### Technical data:

• Connections	4 pin Amphenol
• Headset	Peltor
• Color	Black
• IP rating	IP54
• Microphone	dynamic differential microphone
• Sensitivity as lip mic	4mV/220 Ohm
• Frequency range	70 - 9000Hz +/- 6dB
• Impedance	230 Ohm
• Noise suppression	12 dB at 1kHz
• Weight	1,2 kg

### Plug connections

- 1 Yellow wire
- 2 Green wire
- 3 Brown wire
- 4 White wire

**MADE FOR MARINE ENVIRONMENT**

SeaTelecom (STC) is the solution to the demand for affordable onboard communication for ships. Thanks to the simple, yet well-considered concept of the systems, well-functioning communication equipment can be delivered to seagoing vessels at a very competitive price level.

- Excellent price-quality ratio (both telephone and PA)
- STC meets the onboard demands
- 72 analogue lines connected in standard system
- Peripheral equipment ready for delivery within 24h

# EBT-430

## PART OF STC-PUBLIC ADDRESS



### Description

The built-in telephone EBT430 can be easily integrated in tables and desks as used in alarm and control stations. Both horizontal and vertical mounting is possible. Due to its standard complete equipment, the built-in telephone 430 can be used for many applications. Equipped with an analogue extension, the built-in telephone EBT 430 can be used with all telephone systems.

### Features:

- Handset support in plastic cavity
- Acoustic signalling switchable (volume and sound characteristics)
- Optical signalling
- Last number redial
- Mute key
- 10 abbreviated dialling stores
- Dialling procedure (IWW/MFV) - adjusted temporarily or permanently
- Alarm key switchable (ground/flash)
- Connection of an additional telephone receiver optional
- Dial barring lock
- Crosswise mounting possible (keypad pivotable 90°)
- Vertical mounting possible
- Connecting cable 3m, phone jack plug
- Cut-out hole: 244,5 x 95,5 mm
- Installation depth: 69 mm

**MADE FOR MARINE ENVIRONMENT**

SeaTelecom (STC) is the solution to the demand for affordable onboard communication for ships. Thanks to the simple, yet well-considered concept of the systems, well-functioning communication equipment can be delivered to seagoing vessels at a very competitive price level.

- Excellent price-quality ratio (both telephone and PA)
- STC meets the onboard demands
- 72 analogue lines connected in standard system
- Peripheral equipment ready for delivery within 24h

# STC-606-10

PART OF STC-PUBLIC ADDRESS



## Description:

- Comfortable fit, light weight ear protector headset for telephone type STC-306
- Standard with 10 mtr. cable and plug. Cable of 20 mtr. optional
- To be used in noisy areas of up to 115dB(A)
- In combination with STC-306 a perfect sound quality for use in noisy areas

## Technical data:

• Connections	Wired
• Headset	type WHA
• Color	Black
• IP rating	IP54
• Weight	0,385 kg
• Microphone	Dynamic microphone
• Frequency range	100-5000 Hz
• Impedance	230 Ohm
• Noise suppression	12dB at 1kHz

## Connections

HSH1	Green wire
HSH2	Yellow wire
HSM+	White wire
HSM-	Screen

**MADE FOR MARINE ENVIRONMENT**

SeaTelecom (STC) is the solution to the demand for affordable onboard communication for ships. Thanks to the simple, yet well-considered concept of the systems, well-functioning communication equipment can be delivered to seagoing vessels at a very competitive price level.

- Excellent price-quality ratio (both telephone and PA)
- STC meets the onboard demands
- 72 analogue lines connected in standard system
- Peripheral equipment ready for delivery within 24h

# STC-704

## PART OF STC-PUBLIC ADDRESS



### Description

Relaybox for analogue lines on PABX exchanges. To be used when external signalling is required.

### Technical data:

• Connections	Screw terminals
• Color	Grey
• IP rating	IP54
• Weight	0,5 kg
• Power supply	Analogue line powered
• Line length	to exchange max. 100 mtr. to station max. 15 mtr.
• Material	Plastic casing
• Available contacts	1 NO contact, 250VAC-max. 2A (fused)
• Dimensions (HxWxD)	122x120x105mm

### Connections

- 1: A line
- 2: B line
- 3: No contact
- 4: No contact

**MADE FOR MARINE ENVIRONMENT**

SeaTelecom (STC) is the solution to the demand for affordable onboard communication for ships. Thanks to the simple, yet well-considered concept of the systems, well-functioning communication equipment can be delivered to seagoing vessels at a very competitive price level.

- Excellent price-quality ratio (both telephone and PA)
- STC meets the onboard demands
- 72 analogue lines connected in standard system
- Peripheral equipment ready for delivery within 24h

# STC-804

## PART OF STC-PUBLIC ADDRESS



### Description:

- Flush mounting microphone panel
- Gooseneck microphone
- Push to talk button
- NC contact for disconnecting alarm bells when speaking
- NO contact for switching speakers in 100V circuit
- NO contact for muting VSS system
- All contacts max. 3A
- Standard delivered with 5 mtr. microphone cable and XLR-plug
- Black anodised aluminium front with resopal cover plate

### Technical data:

• Impedance	500 Ohm
• Frequency range	150-12000Hz
• Weight	0,9 kg
• Sensitivity	2.2mV / PA / 1kHz
• Dimensions microphone	28x385mm
• Dimensions panel (HxWxD)	130x120x60mm
• Panel cut-out	80x100mm

### Terminal Connections:

- 0: Screen
- 1-2: Signal output
- 3-4: NC contact for disconnecting alarm bells
- 5-6: NO contact for switching 100V circuit
- 7-8: NO contact for muting VSS system.

**MADE FOR MARINE ENVIRONMENT**

SeaTelecom (STC) is the solution to the demand for affordable onboard communication for ships. Thanks to the simple, yet well-considered concept of the systems, well-functioning communication equipment can be delivered to seagoing vessels at a very competitive price level.

- Excellent price-quality ratio (both telephone and PA)
- STC meets the onboard demands
- 72 analogue lines connected in standard system
- Peripheral equipment ready for delivery within 24h

# STC-903

PART OF STC-PUBLIC ADDRESS

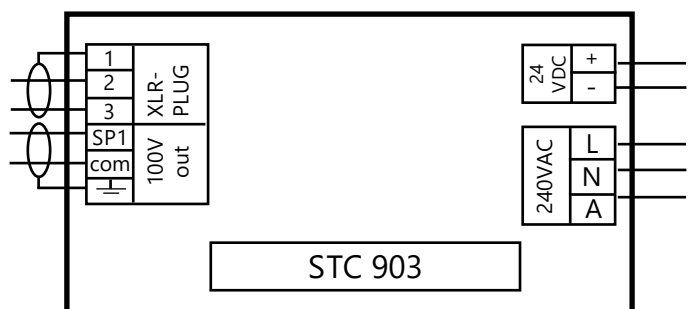


## Description:

- P.A. Mixing Amplifier
- Level meter for output level
- Power LED
- Adjustment of input level, bass, treble and master output
- Amplifier can be expanded with radio or cassette player
- Standard delivered for desk mounting
- Extra 19" mounting kit available on request

## Technical data:

• Operation voltage	230VAC/50-60Hz
• Sec. voltage	24VDC-11A
• Power consumption	280VA
• Power output	120Wrms, 170Wmax
• Output	100V, 4 Ohm, 8 Ohm
• Input	MIC1-4, Line 2-5
• Frequency range	80-15000Hz
• Dimensions (HxWxD)	122x420x350mm
• Weight	13kg



**MADE FOR MARINE ENVIRONMENT**

SeaTelecom (STC) is the solution to the demand for affordable onboard communication for ships. Thanks to the simple, yet well-considered concept of the systems, well-functioning communication equipment can be delivered to seagoing vessels at a very competitive price level.

- Excellent price-quality ratio (both telephone and PA)
- STC meets the onboard demands
- 72 analogue lines connected in standard system
- Peripheral equipment ready for delivery within 24h

70/100V combined transformer	
Primary connections	
White: Green	70V
White: Red	100V
Secondary nominal tapings	
C : 6W	6,0W
C : 3	3,0W
C : 1,5	1,5W
C : 0,5W	0,5W

# STC-1104

PART OF STC-PUBLIC ADDRESS

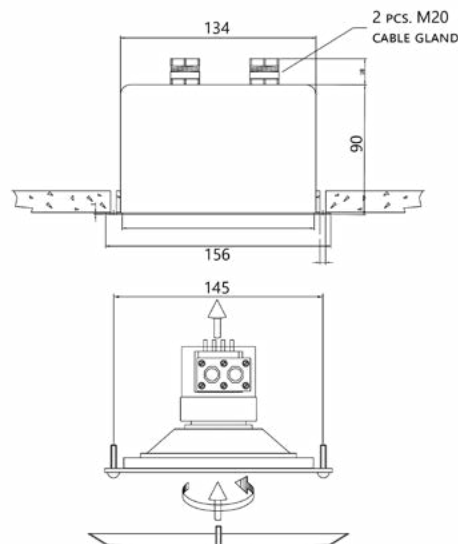


## Description:

- Flush mounting ceiling speaker
- Mounting with 2 screws, bracket
- Aluminium speaker cover RAL9010
- B15 steel fire dome
- Cable glands 2 x M20
- Short circuit fuses
- Ceramic connection terminals

## Technical data:

• Standard version	50/100V transformer
• Rated power	6W
• SPL 1W/1m	90dB
• SPL rated power	97dB
• Dispersion (-6dB) 1kHz/4kHz	170° / 60°
• Ambient temp.	-20 to 90°C
• Frequency range	130-15000Hz
• Weight	0,9 kg



## Dimensions

Ceiling cut-out: 136 mm  
 Installation depth: 90 mm

**MADE FOR MARINE ENVIRONMENT**



SeaTelecom (STC) is the solution to the demand for affordable onboard communication for ships. Thanks to the simple, yet well-considered concept of the systems, well-functioning communication equipment can be delivered to seagoing vessels at a very competitive price level.

- Excellent price-quality ratio (both telephone and PA)
- STC meets the onboard demands
- 72 analogue lines connected in standard system
- Peripheral equipment ready for delivery within 24h

# STC-1604

PART OF STC-PUBLIC ADDRESS

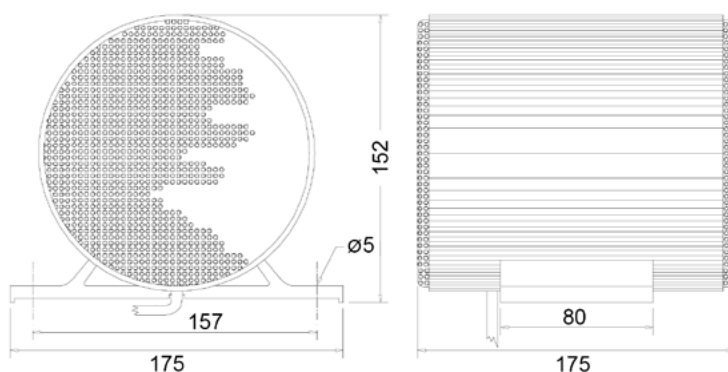


## Description:

- Bulkhead mounting wall / ceiling speaker
- Mounting with 2 screws, foot bracket
- Aluminium RAL9010
- Connection cable 3m FR
- Short circuit fuses

## Technical data:

• Standard version	50/100V transformer
• Rated power	6W
• SPL 1W/1m	90dB
• SPL rated power	96dB
• Dispersion (-6dB) 1kHz/4kHz	150° / 150°
• Ambient temp.	-40 to 90°C
• Frequency range	150-20000Hz
• Weight	2,3 kg



## Transformer:

100V Primary nominal tapings:

1 : 2	6W
2 : 3	3W
3 : 4	1,5W
1 : 3	1,0W
2 : 4	0,5W
1 : 4	0,3W

**MADE FOR MARINE ENVIRONMENT**

SeaTelecom (STC) is the solution to the demand for affordable onboard communication for ships. Thanks to the simple, yet well-considered concept of the systems, well-functioning communication equipment can be delivered to seagoing vessels at a very competitive price level.

- Excellent price-quality ratio (both telephone and PA)
- STC meets the onboard demands
- 72 analogue lines connected in standard system
- Peripheral equipment ready for delivery within 24h

# STC-503

## PART OF STC-PUBLIC ADDRESS

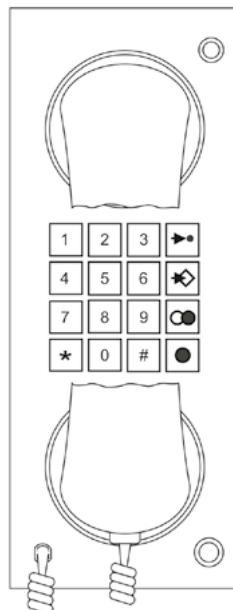


### Description:

- DTMF signalling
- Last number redial
- Tone ringer & Volume control
- 10 Direct Access keys for easy calling your most frequently used extensions or features, all by a single key press.
- Flush mounting
- Ring Tripping

### Technical data:

• Connection	6/4 RJ11 modular plug
• Color	Black
• Dinensions outline	110x280x40mm
• Cut-out dimension	90x260x40mm
• Weight	1kg



**MADE FOR MARINE ENVIRONMENT**

SeaTelecom (STC) is the solution to the demand for affordable onboard communication for ships. Thanks to the simple, yet well-considered concept of the systems, well-functioning communication equipment can be delivered to seagoing vessels at a very competitive price level.

- Excellent price-quality ratio (both telephone and PA)
- STC meets the onboard demands
- 72 analogue lines connected in standard system
- Peripheral equipment ready for delivery within 24h

#### Secondary nominal tapplings

C : 6W	6W
C : 3W	3W
C : 1,5W	1,5W
C : 0,5W	0,5W

# STC-1204

## PART OF STC-PUBLIC ADDRESS

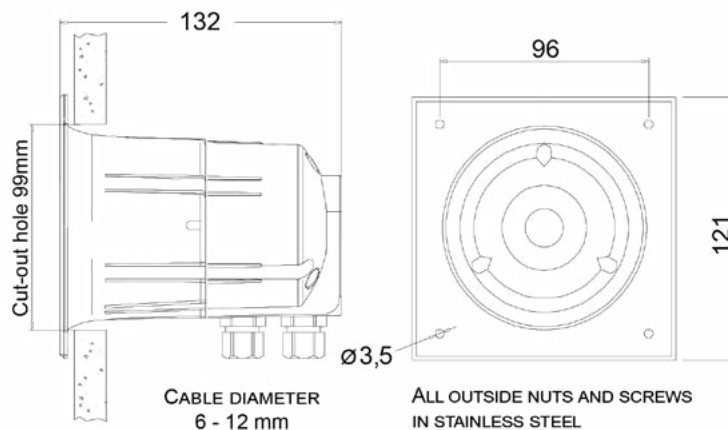


### Description:

- Flush mounting speaker IP67
- Mounting with 4 screws, flush
- PolyamideVo halogen free RAL7035
- Cable glands 2 x M20
- Short circuit fuse
- Ceramic connection terminals

### Technical data:

- |                               |                     |
|-------------------------------|---------------------|
| • Standard version            | 50/100V transformer |
| • Rated power                 | 6W                  |
| • SPL 1W/1m                   | 100dB               |
| • SPL rated power             | 107dB               |
| • Dispersion (-6dB) 1kHz/4kHz | 170° / 60°          |
| • Ambient temp.               | -40 to 110°C        |
| • Frequency range             | 300-20000Hz         |
| • Weight                      | 0,6 kg              |



**MADE FOR MARINE ENVIRONMENT**

SeaTelecom (STC) is the solution to the demand for affordable onboard communication for ships. Thanks to the simple, yet well-considered concept of the systems, well-functioning communication equipment can be delivered to seagoing vessels at a very competitive price level.

- Excellent price-quality ratio (both telephone and PA)
- STC meets the onboard demands
- 72 analogue lines connected in standard system
- Peripheral equipment ready for delivery within 24h

# STC-306

## PART OF STC-PUBLIC ADDRESS



### Description:

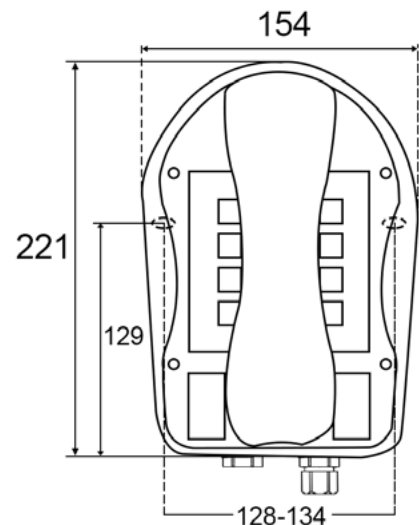
- Bulkhead mounting
- DTMF dialling
- Cable glands M16 5-10mm
- Connection terminals range 0.08-2.5mm<sup>2</sup>
- Case Polyamid
- Possibility for headset connection type STC-606
- Built-in loud call signal
- CE conformity EN 50081, EN50082, EN 60950 Line approach according CTR21+

### Technical data:

- |                         |                    |
|-------------------------|--------------------|
| • Operating temperature | -20 to 55°C        |
| • Humidity              | 95% non-condensing |
| • Degree of protection  | IP66               |
| • Dimensions (HxWxD)    | 221x154x105mm      |
| • Weight                | 1,25kg             |

### Optional headset

STC-606 Headset with 10 meter cable for STC-306



**MADE FOR MARINE ENVIRONMENT**

SeaTelecom (STC) is the solution to the demand for affordable onboard communication for ships. Thanks to the simple, yet well-considered concept of the systems, well-functioning communication equipment can be delivered to seagoing vessels at a very competitive price level.

- Excellent price-quality ratio (both telephone and PA)
- STC meets the onboard demands
- 72 analogue lines connected in standard system
- Peripheral equipment ready for delivery within 24h

# STC-BUZ

PART OF STC-PUBLIC ADDRESS

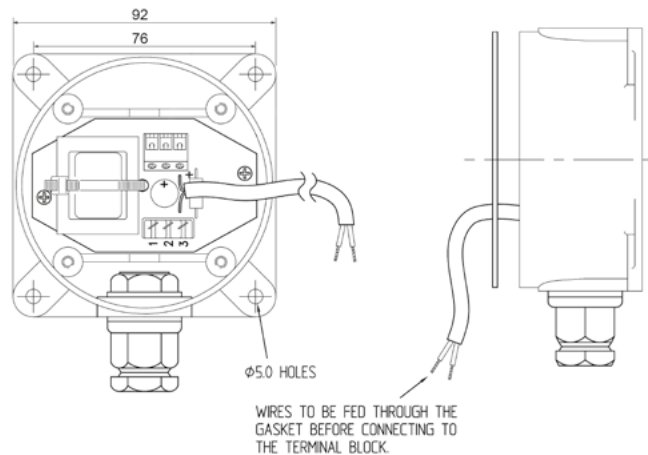


## Description:

- Line powered, high output alarm unit
- To be used in high ambient noise level areas
- Powered by the PABX line voltage

## Technical data:

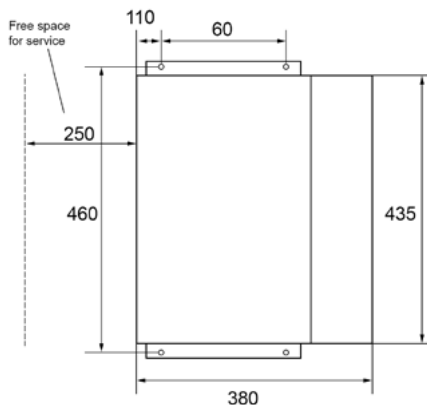
• Input voltage	60-100VAC
• Output SPL	85-105dBA nominal at 1mtr.
• Volume control	Variable potentiometer
• Frequency	120Hz modulated buzz
• Waterproofing	IP66 as standard
• Color	Yellow case with black base
• Connection	Station or line have to be connected to terminals marked 2 and 3



**MADE FOR MARINE ENVIRONMENT**

SeaTelecom (STC) is the solution to the demand for affordable onboard communication for ships. Thanks to the simple, yet well-considered concept of the systems, well-functioning communication equipment can be delivered to seagoing vessels at a very competitive price level.

- Excellent price-quality ratio (both telephone and PA)
- STC meets the onboard demands
- 72 analogue lines connected in standard system
- Peripheral equipment ready for delivery within 24h



# ACME7V3

## PART OF STC-PUBLIC ADDRESS



### Description:

- DNV type approved telephone system
- Equipped with combination of analogue, digital and trunklines (depending on configuration)
- 2-wire cabling for analogue stations
- System can be equipped with internal amplifier
- Screw connectors for ships cabling
- Specially equipped for small and middle size vessels
- Free programmable from the PC (+ also limited programming via station)

### Technical data:

• Operation voltage	24VDC
• Connection	Screw terminals
• Current consumption	4,76A fully equipped
• Ringing Voltage	70V rms at 25Hz
• Material	Steel cabinet
• Mounting	Wall mounted or 19" flush mounted
• Color	Grey
• Dimensions cabinet (HxWxD)	435x380x132
• Weight	15kg
• Temp. range	5 to 55°C
• Max. room temp.	30°C
• Frequency range	300-3400Hz
• Cable requirements	Screened, twisted pair 0.5mm for analogue stations

### Optional telephone interfaces:

- STC-MP114 gateway 4 lines
- STC-VA322 amplifier 100W / 100V 24VDC  
Built in STC-ACME7v3 cabinet  
7A with short circuit protection

**MADE FOR MARINE ENVIRONMENT**

SeaTelecom (STC) is the solution to the demand for affordable onboard communication for ships. Thanks to the simple, yet well-considered concept of the systems, well-functioning communication equipment can be delivered to seagoing vessels at a very competitive price level.

- Excellent price-quality ratio (both telephone and PA)
- STC meets the onboard demands
- 72 analogue lines connected in standard system
- Peripheral equipment ready for delivery within 24h

# STC-VA-322

PART OF STC-PUBLIC ADDRESS



## Description:

- Amplifier 100W / 100V for 24VDC
- The VA-322 audio amplifier is intended for the reproduction of speech and music
- Deliver 100W RM power with 100V line voltage at 26VDC supply voltage and approx. 7A current drain
- Printed circuit board, output- transformer- and transistors mounted on an 8mm aluminium heatsink plate
- Heatsink requires thermal contact with suitable additional heat-sink to sink approx. 65W.
- 26VDC power supply required

## Technical data:

• Dimensions (HxWxD)	105x130x100mm
• Supply voltage	24-32VDC
• Power supply fuse	10A
• Output power at supply voltage 26VDC/ 1 kHz	3mV/300mV
• Input level at full output at 1 kHz	100W
• Frequency response 300-10.000 Hz	3dB
• S/N ratio	75dB
• Short circuit protection	Yes
• Operation temperature range	0 to 60 °C

**MADE FOR MARINE ENVIRONMENT**



SeaTelecom (STC) is the solution to the demand for affordable onboard communication for ships. Thanks to the simple, yet well-considered concept of the systems, well-functioning communication equipment can be delivered to seagoing vessels at a very competitive price level.

- Excellent price-quality ratio (both telephone and PA)
- STC meets the onboard demands
- 72 analogue lines connected in standard system
- Peripheral equipment ready for delivery within 24h

# STC-MP114

## PART OF STC-PUBLIC ADDRESS

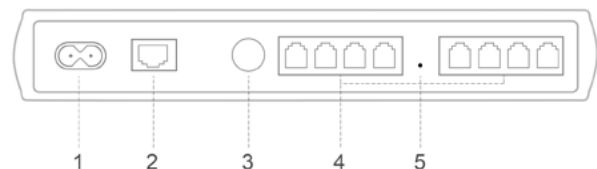


### Description:

- Provides voice, fax and modem support
- Offers toll quality voice compression
- Enhanced capabilities including MWI, long haul, Metering Tones Generation, CID and outdoor protection
- Allows Fallback to PSTN for E911 (Emergency number PSTN breakthrough) or upon network/power failure (FXO and/or FXS) configurations
- Supports Stand Alone Survivability (SAS) for IP Centrex and Central IP-PBX
- Supports SIP, H.323 and MGCP standard control protocols
- Proven integration with leading PBXs, IP-PBXs, Soft switches and Gatekeepers

### Technical data:

• Power	100-240VAC / 50-60Hz or -48VDC
• Operational	5 to 40°C
• Storage	-25 to 85°C
• Humidity	10-90% non-condensing
• Dimensions	172x42x220mm
• Mounting	Rack / Table top / Wall
• Voice ports	4



### Item Component Description

- | Item | Component Description                                |
|------|--|
| 1    | AC power supply socket (100-240~0.3A max.)           |
| 2    | Ethernet 10/100 Base-TX Uplink port                  |
| 3    | RS-232 status port (requires a DB-9 to PS/2 adaptor) |
| 4    | 4 FXS / FXO ports                                    |
| 5    | Reset button   |

**MADE FOR MARINE ENVIRONMENT**



SeaTelecom (STC) is the solution to the demand for affordable onboard communication for ships. Thanks to the simple, yet well-considered concept of the systems, well-functioning communication equipment can be delivered to seagoing vessels at a very competitive price level.

- Excellent price-quality ratio (both telephone and PA)
- STC meets the onboard demands
- 72 analogue lines connected in standard system
- Peripheral equipment ready for delivery within 24h

# STC-1404

PART OF STC-PUBLIC ADDRESS

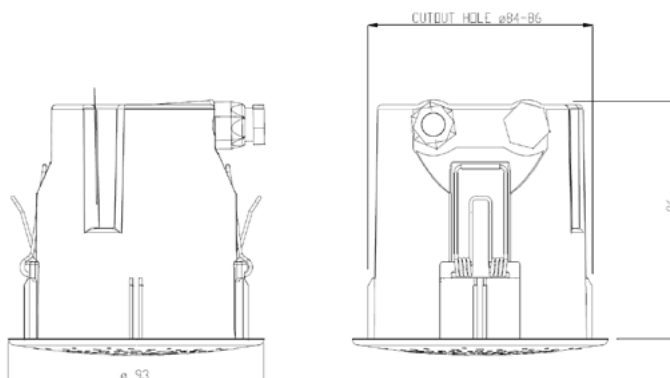


## Description:

- Flush mounting speaker IP54
- Mounting with springs, flush
- PC/ABS RAL9010
- Cable glands 2 x M20
- Short circuit fuse
- Ceramic connection terminals

## Technical data:

• Standard version	50/100V transformer
• Rated power	6W
• SPL 1W/1m	90dB
• SPL rated power	97dB
• Ambient temp.	-30 to 90°C
• Frequency range	250-20000Hz
• Weight	0,3 kg



**MADE FOR MARINE ENVIRONMENT**